

Power relays VS116K, VS316K

Application: Control signals in low-power circuits, combined with buttons, switches, for automation systems

Advantages:

- Voltage range AC230 or AC / DC 24V,
- 1 module, DIN rail mounting
- Changeover contact 1x16A or 3x16A,
- Output status LED indication

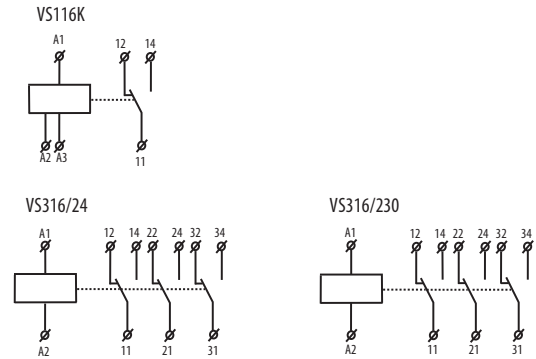
Technical data

	VS116K	VS316/24	VS316/230
Supply terminals	A1 - A2		
Voltage range	230 V AC/50-60 Hz	24 V AC/DC/50-60 Hz	230 V AC/50-60 Hz
Burden	AC max. 7.5 VA/ 1W	1.6 VA/ 1.2 W	2.5 VA
Supply terminals	A1-A3	x	
Voltage range	AC/DC 24 V (50-60 Hz)	x	
Burden	AC 1 VA/ DC 1W	x	
Supply voltage tolerance	-15%; +10%		
Output			
Number of contacts	1 x changeover/ SPDT (AgSnO2)	3 x changeover/ 3PDT (AgSnO ₂)	
Current rating	16 A/ AC1	16A/ AC1	
Breaking capacity	4000VA/ AC1, 384W/ DC	4000VA/ AC1, 384W/ DC	
Inrush current	30 A/ <3s	30 A/ <3s	
Switching voltage	250 V AC1/ 24 V DC		
Min. breaking capacity DC	500 mW		
Output indication	high intensity of LED		
Mechanical life	3x10 ⁷	1x10 ⁷	
Electrical life (AC1)	0.7x10 ⁵	1x10 ⁵	
Time between switching	min. 2s	20 ms	50 ms
Other information			
Operating temperature	-20 °C ... +55 °C (-4 °F ... 131 °F)		
Storage temperature	-30 °C ... +70 °C (-22 °F ... 158 °F)		
Electrical strength	4 kV (supply-output)		
Operating position	any		
Mounting/DIN rail	DIN rail EN 60715		
Protection degree	IP 40 from front panel		
Overvoltage category	III.		
Pollution degree	2		
Max. cable size (mm ²)	max. 1x 2.5 / 2x1.5 max. 1x2.5		
Dimensions	90 x 17.6 x 64 mm (3.5" x 0.7" x 2.5")		
Weight	54 g (1.9 oz.)	90 g (3.17 oz.)	92 g (3.25 oz.)
Standards	EN 61810-1, EN 61010-1		

Notes

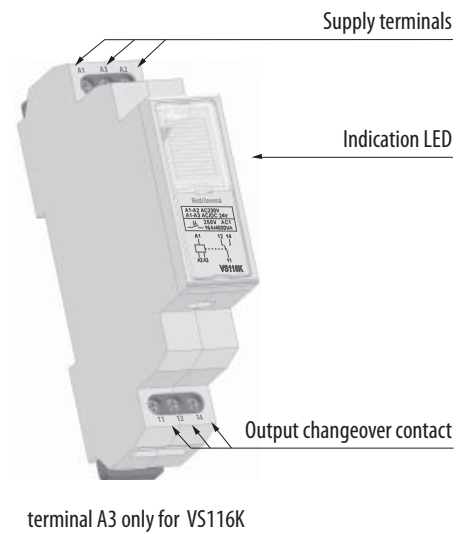
Max. time of changeover of contact is 10ms.
 VS316/24 and VS316/230 enable switching of different phases or 3 phase voltage.

Symbol



Description

VS116K



VS316/24, VS316/230

