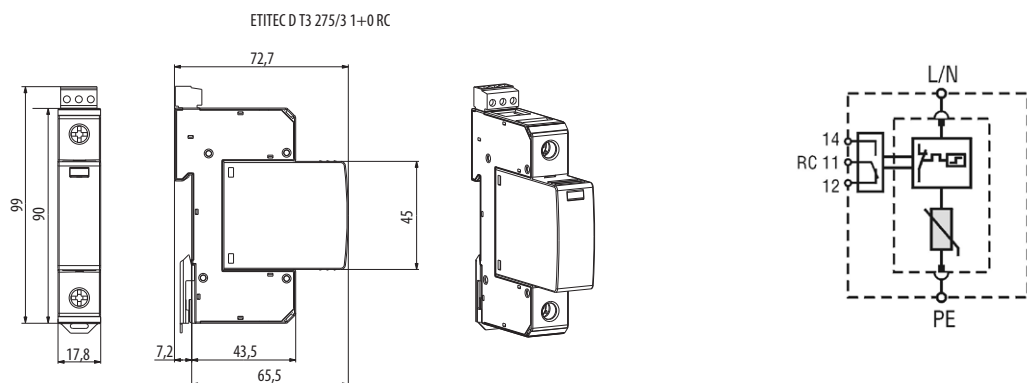


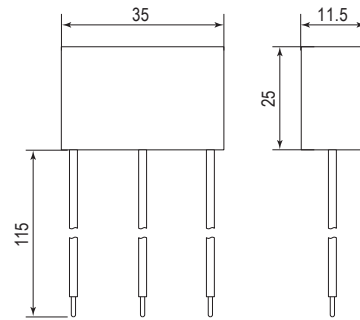
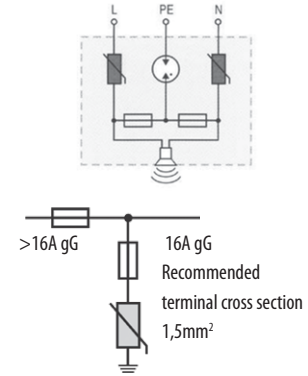
Surge arrester ETITEC group D T3

EN/IEC/VDE: T3/III/D

ETITEC D T3		
Type	275/3	440/3
In accordance with	IEC/EN 61643-11	
Category IEC/EN/VDE	III/T3/D	
Max. continuous operating voltage (AC) U_c	275	440
Nominal AC voltage U_o	230 V 50-60 Hz	
TOV immunity U_t (AC)	335 V/5s withstand	335 V/5s withstand
	440 V/120 min safe disconnection	440 V/120 min withstand
U_{oc}	10 kV	
Max. discharge current (8/20) I_{max}	10 kA	
Charge		
Protection level U_p - at I_n (8/20)	<1,4 kV	<1,6 kV
Follow current I_n	x	
Response time t_A	< 25 ns	
Residual current I_{pe} at U_{ref}	< 0,3 mA	
Thermal decoupler	✓	
Torque	3,0 Nm	
Back-up fuse (if mains > 63A)	125 A gG	
Short-circuit current rating I_{scCR}	25 kA / 50 Hz	
Temperature range	- 40°C ... +70°C	
Cross-section of connection wire	min. 6mm ² , max. single strand 35mm ² , multi-strand 25mm ²	
Mounting	indoors on top hat fixing rail 35 mm (EN 60715)	
Degree of protection	IP 20	
Casing material	thermoplastic; extinguishing degree UL 94 V-0	
Dimensions	1 TE	
Indication of disconnector operation	red flag	
Permissible humidity	5% - 95%	
Additional data for ETITEC D-RC		
Remote signalisation (RC)	✓	
Switching capability (RC)	AC: 250V/0.5A; 125V/3A	
Cross-section of connection wire (RC)	max. 1.5 mm ²	
Torque (RC)	0,25 Nm	



ETITEC D 255/3 MINI	
Electrical	
Nominal AC voltage U_0	230V
Max. continuous operating voltage (AC) U_c	275V
Open Circuit Voltage of the Combination Wave Generator (1,2/50 μ s) U_{oc}	$U_{oc} = 6kV$ (L+N-PE) $U_{oc, total} = 10kV$
Short-Circuit Current of the Combination Wave Generator (8/20 μ s) I_{sc}	3kA
Protection level $U_p - at I_n$ (8/20)	(L-N) $U_p = 1,5kV$ (L-PE)/(N-PE) $U_p = 1,7kV$
Response time t_A	<100ns
Back-up fuse (if mains > 16A)	B 16 A
Short-circuit current rating I_{SCCR}	1 kA
TOV immunity U_T (AC)	337 V/5s withstand
Mechanical and Environmental	
Temperature range	-40°C ... +85°C
Permissible humidity	5% ... 95%
Cross-section of connection wire	1 mm ² (stranded)
Mounting	cable ducts
Degree of protection	IP 20
Housing material	thermoplastic; extinguishing degree UL 94 V-0
Thermal decoupler	✓
Fault Indication	Buzzer



Technical data ETITEC FILT D	
In accordance with	IEC-61643-1
Category IEC / VDE	III / D
Connection:	TN-S, TT
Protecting:	L/N-PE
Protective elements:	GDT, MOV & EMI filter
Max. continuous operating voltage (AC/DC) U_c	275/50 Hz
Combination wave (1.2/50-8/20) U_{oc}/I_{sc}	6kV/3kA
Max. Load current I_L	8A
Protection level U_p	$\geq 800V$
Asymmetrical attenuation	<70 dB at 5MHz
Terminal cross section	1,5 mm ² (stranded)
Indication	Light
Housing	Thermoplastic
Dimensions (w*h*d)	33*90*57mm

