

Technical data

Horizontal fuse-switch disconnecter type HVL EK size 000 and 00

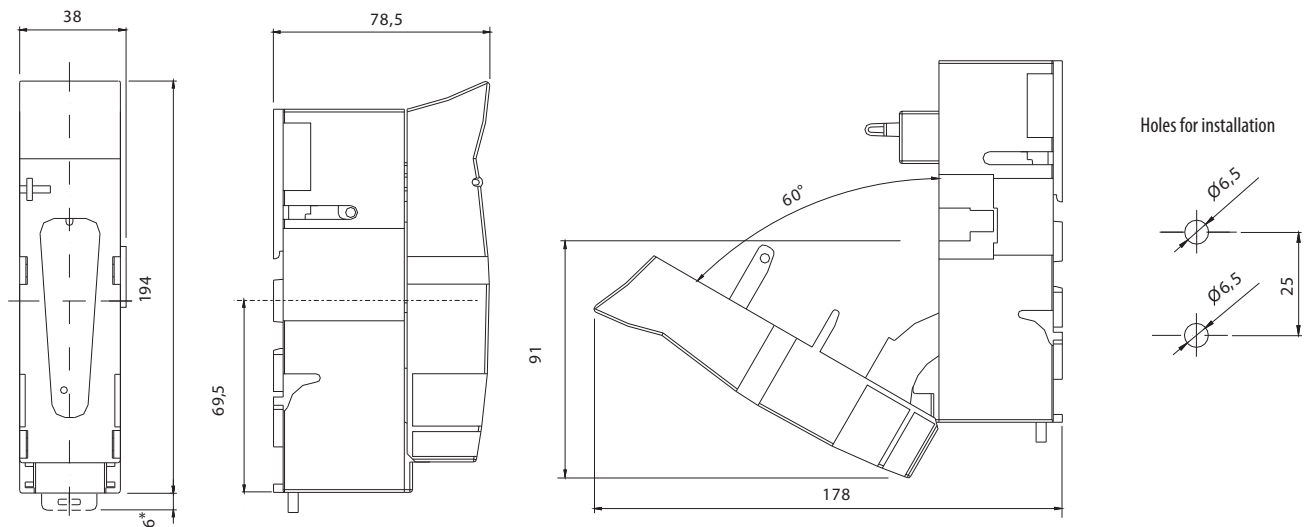
Technical data			HVL EK 000 1p		HVL EK 000 3p		HVL EK 00 1p		HVL EK 00 3p	
Conventional free air thermal current*	I_{th}	A	160							
Rated insulation voltage	U_i	V	AC 690							
Rated withstand voltage	U_{imp}	kV	6							
Rated frequency		Hz	50 (40-60)							
Utilisation category			AC-21B	AC-22B	AC-21B	AC-22B	AC-21B	AC-22B	AC-21B	AC-22B
Rated operational current	I_e	A	160	125	160	100	160	125	160	125
Rated operational voltage	U_e	V	230 AC	690 AC	400 AC	500 AC	230 AC	690 AC	400 AC	500 AC
Rated conditional short-circuit current		kA_{eff}	63							
Mechanical durability (operating cycles)			1600							
Electrical durability (operating cycles)			200							
Power dissipation (without fuse)		W	3,74		10,2		3,74		10,2	
Degree of protection (cover closed)			IP20							
Degree of protection (cover open)			IP10							
Pollution degree			3							
Permissible ambient temperature**		°C	-25 ÷ +55							
Storage temperature		°C	-30 ÷ +70							

* In case of mounting of the fuse-switch disconnecter in cabinet, the thermal current should be corrected (I_m x derating factor), depending on the number of built apparatuses (see table 1)

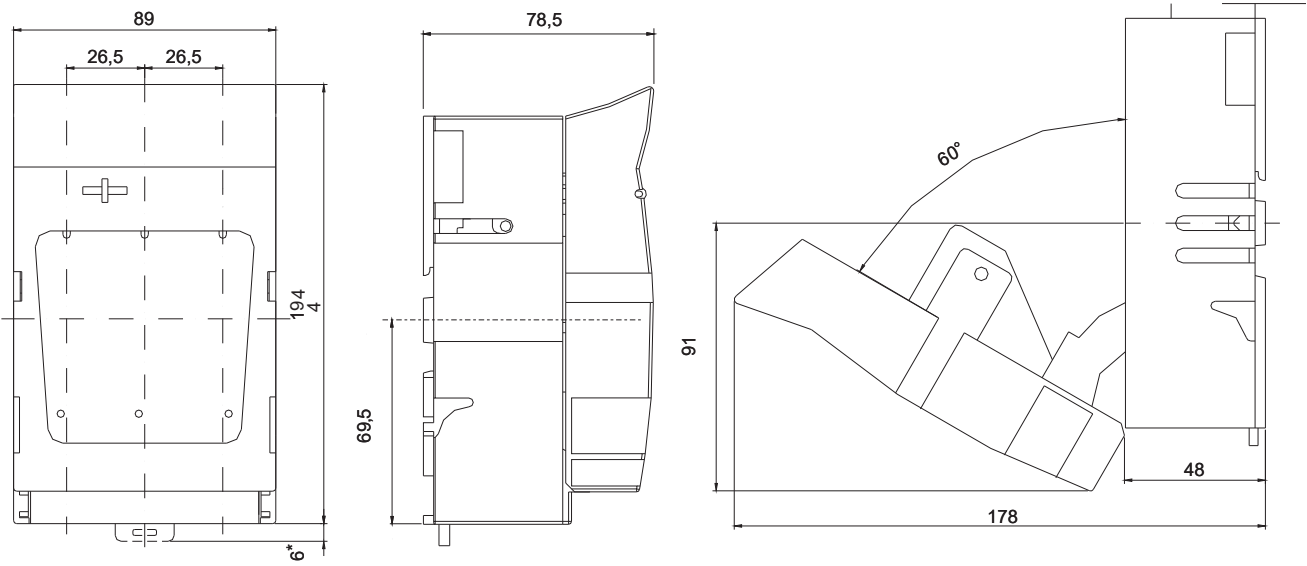
** In case of using the fuse-switch disconnecter at temperatures +45°C to +55°C, the thermal current I_m should be reduced for 5%-10%

Number of built apparatuses	2 - 3	4 - 5	6 - 9	>9
Derating factor	0,9	0,8	0,7	0,6

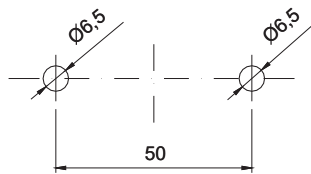
HVL EK 000 1p



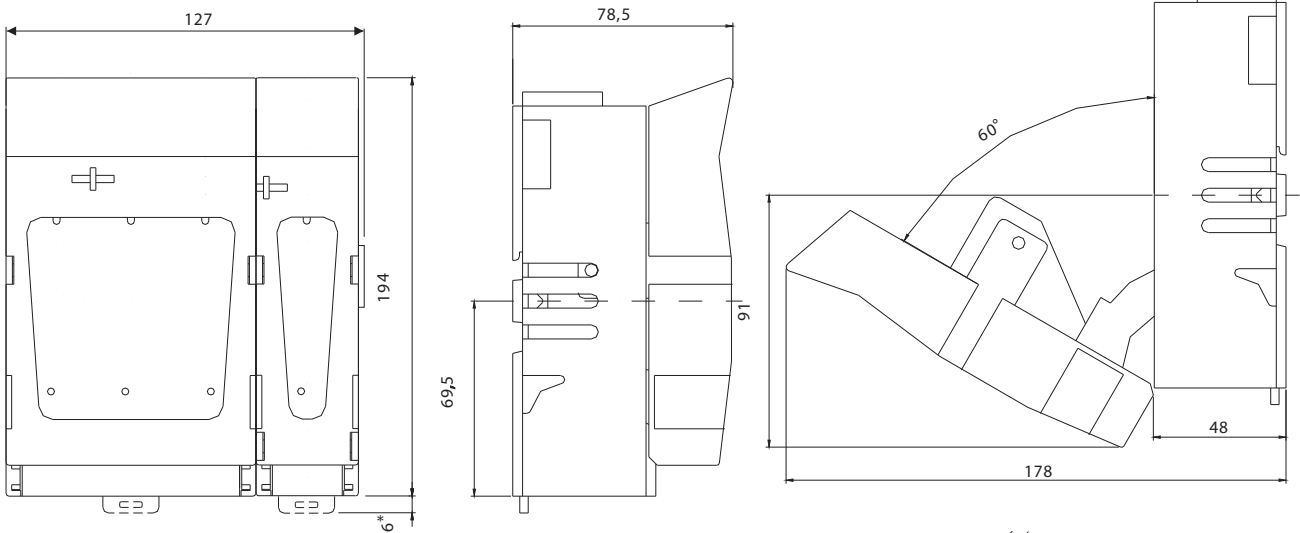
HVL EK 000 3p



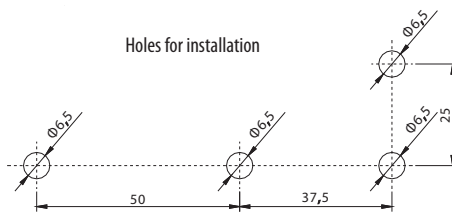
Holes for installation



HVL EK 000 4p

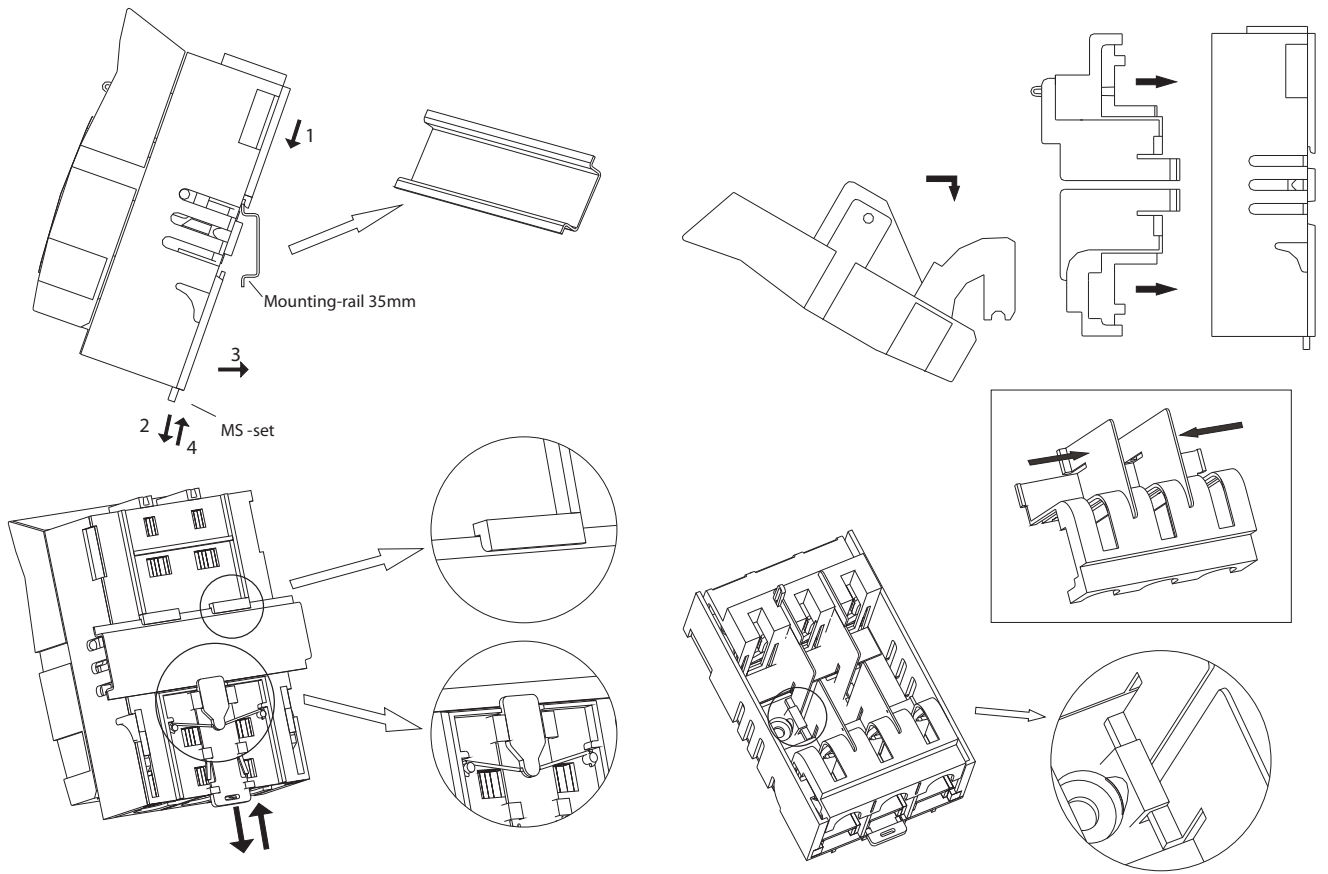


Holes for installation

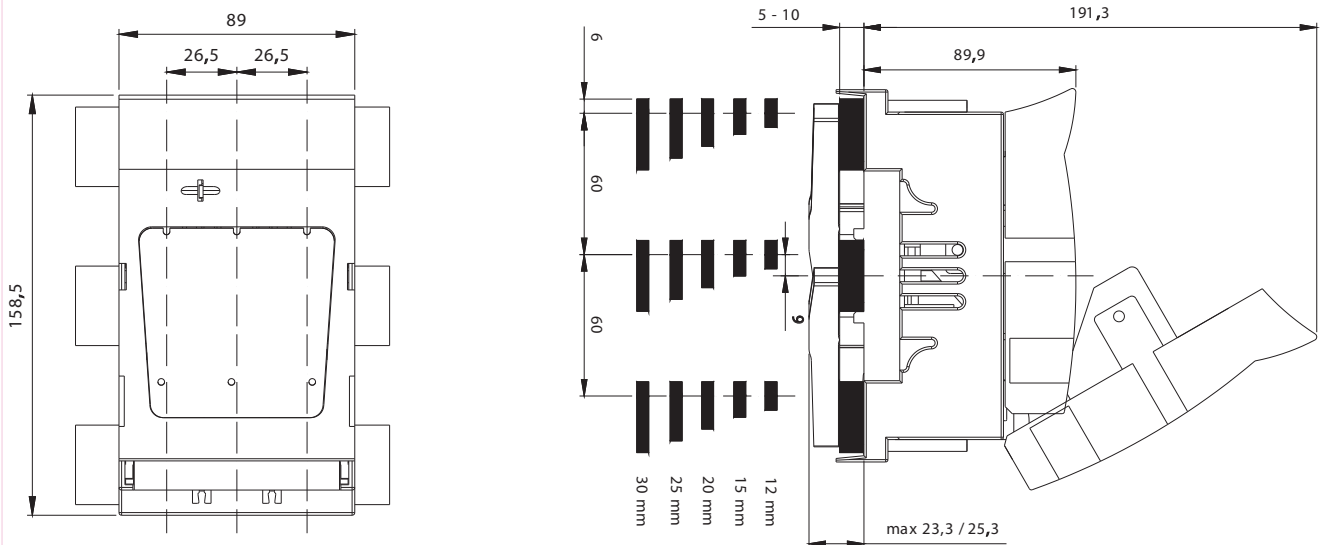


Technical data

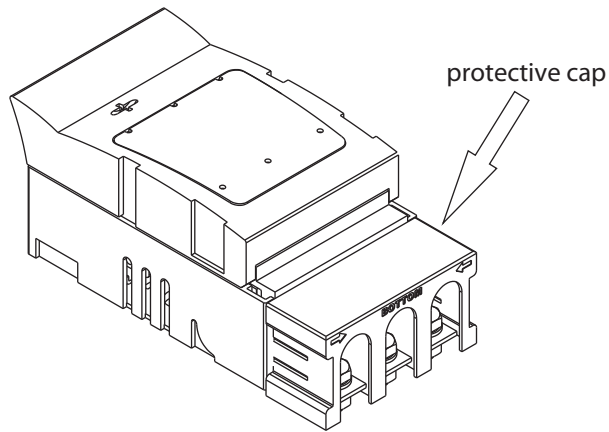
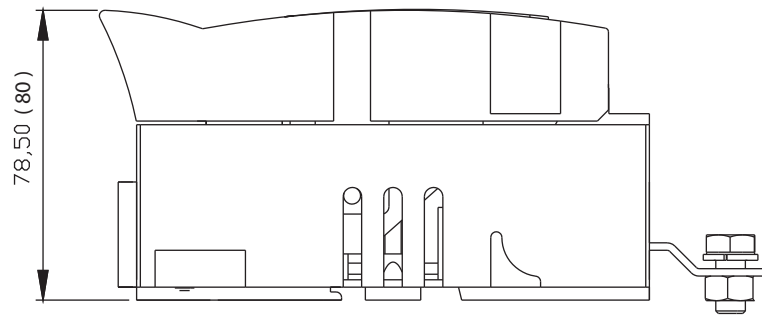
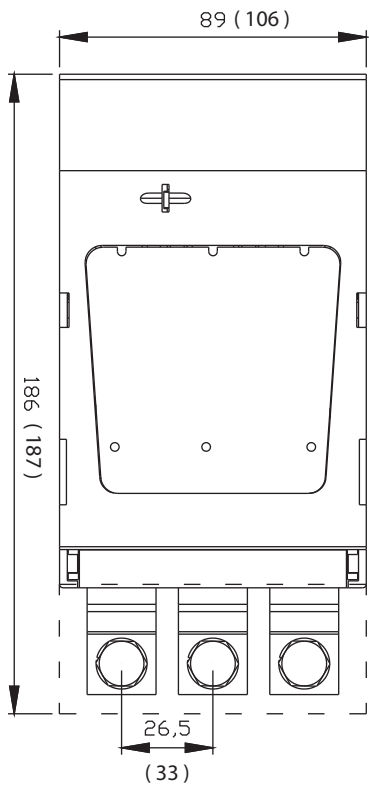
HVL EK 000 – options and Installation guide



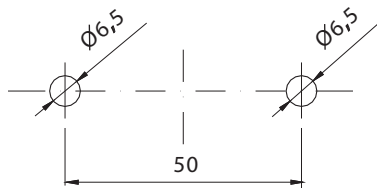
HVL-B EK 000 3p



HVL-P EK 000 3P

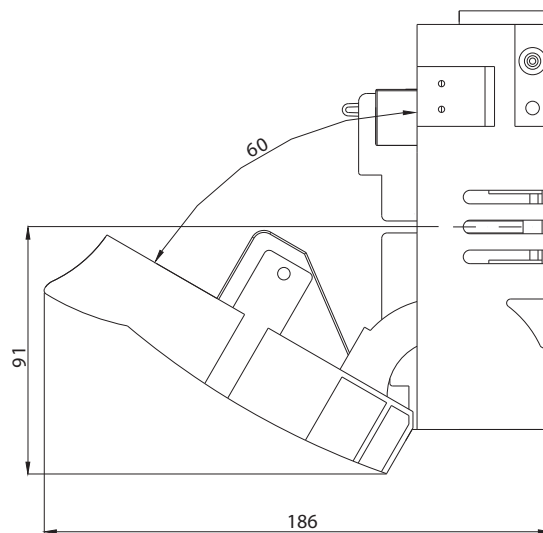
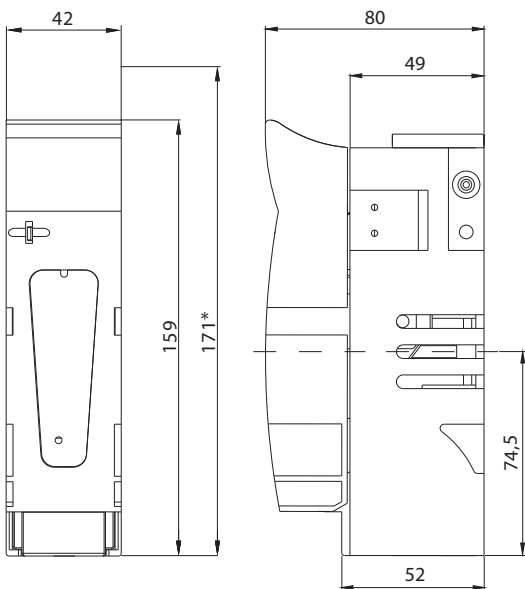


Holes for installation

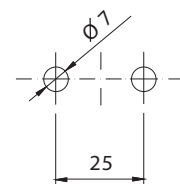


HVL-P EK 000 3p is supplied complete with a bottom covering protection. HVL-P EK 00 3p is supplied without protective coatings.

HVL EK 00 1p

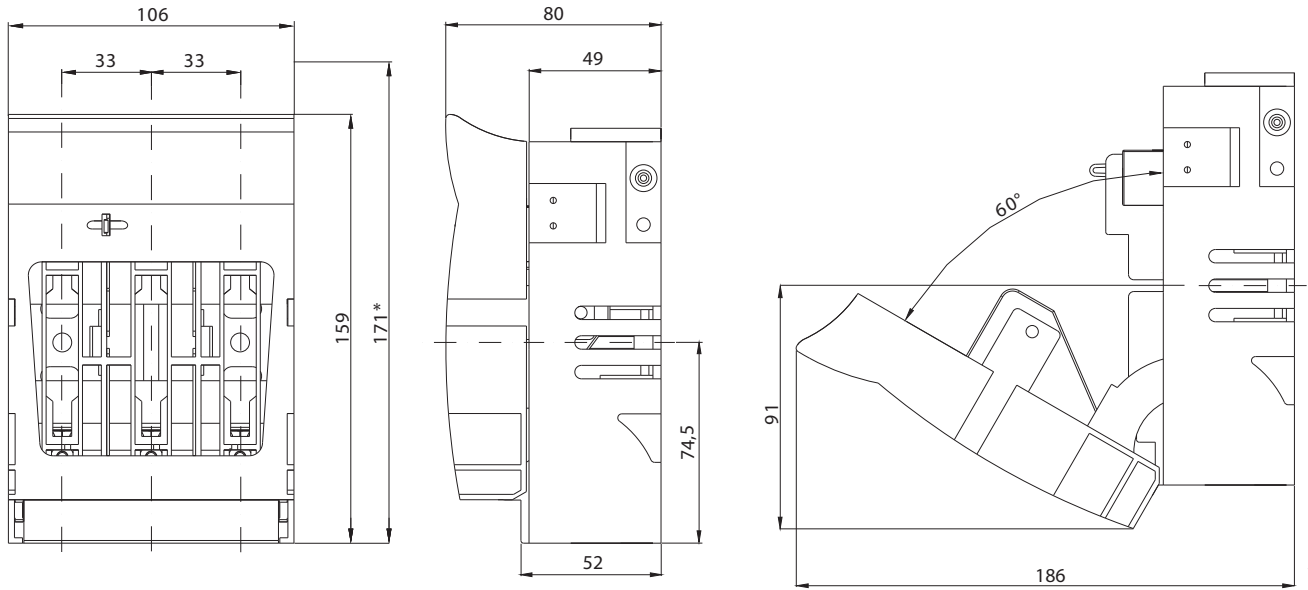


Holes for installation

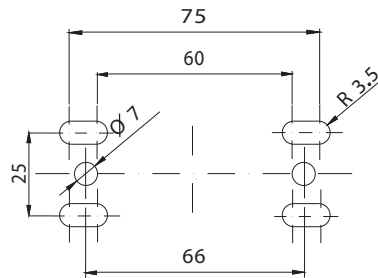


Technical data

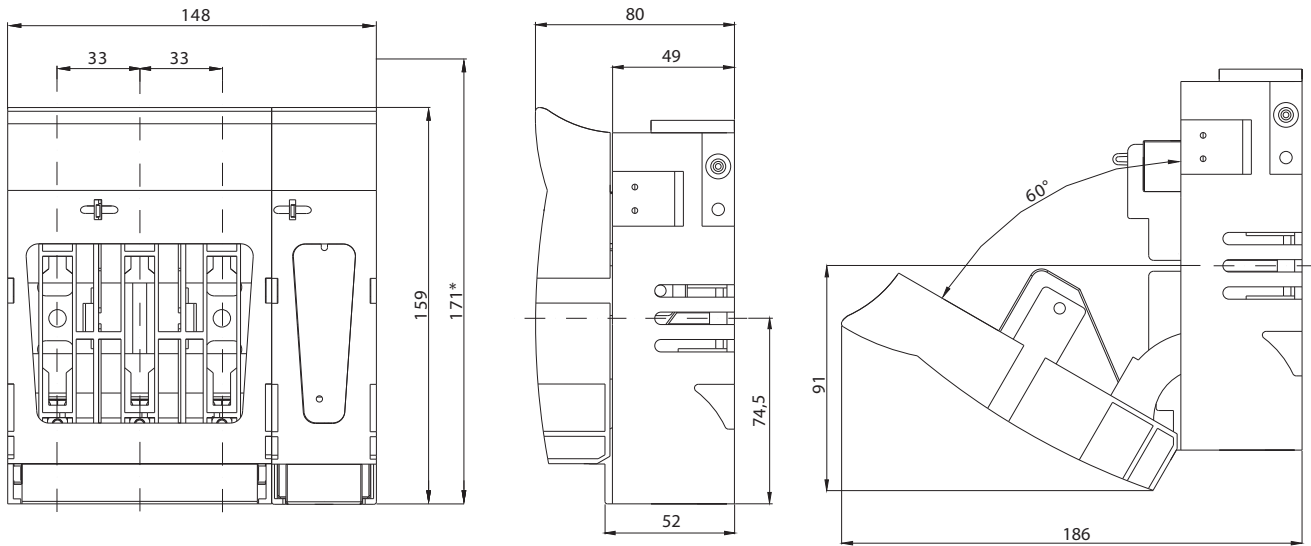
HVL EK 00 3p



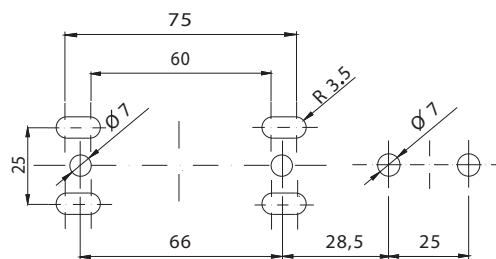
Holes for installation



HVL EK 00 4p



Holes for installation



* with set for mounting on two mounting rails in distance (125mm, 150mm)