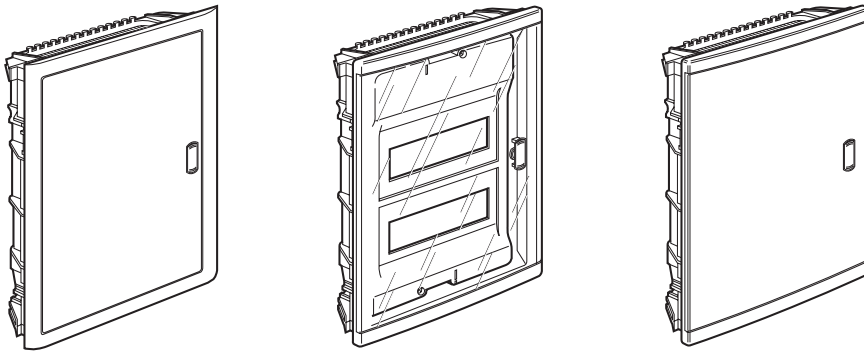


Nedbox™ cabinets

Cat. No(s): 0 014 10/11/12/13/14/20/21/22/23/24/31/32/33/34/36/37/38/39/41/42/43/
 44//51/52/53/54 - 0 015 11/12/13/14/21/22/23/24/31/32/33/34
 1 014 11/12/13/14/31/32/33/34 - 2 014 11/12/13/14/21/22/23/24/31/32/33/34
 HL12F/24F/36F/48F



CONTENTS

Page

1. Description, use	1
2. Range	1
3. Dimensions.....	2
4. General characteristics	2
5. Compliance and approvals.....	3
6. Equipment supplied	3
7. Installation add-ons.....	4

1. DESCRIPTION, USE

Flush-mounting cabinets from 1x8 to 4x14 modules (2 of which are blanked on each row) for residential and small commercial installations.

- 3 types of door: white metal, white plastic and transparent plastic
- Flush-mounted in masonry, brick or dry partition walls (dry partition fixing kit supplied with cabinet or available as an accessory depending on the version)
- Removable cable gland plate
- Lockable door with lock (except 1x8 modules) to be ordered separately

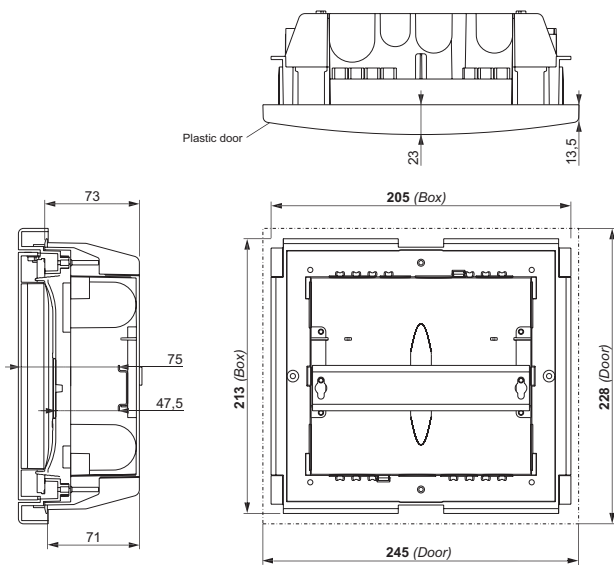
2. RANGE

Cat. No.	Number of rows	Modules per row	Door material	Door colour	Terminal block
0 014 10	1	8	Plastic	White	E
0 014 11	1	12+2	Plastic	White	E
0 014 12	2	12+2	Plastic	White	E
0 014 13	3	12+2	Plastic	White	E
0 014 14	4	12+2	Plastic	White	E
0 014 20	1	8	Plastic	Transparent	E
0 014 21	1	12+2	Plastic	Transparent	E
0 014 22	2	12+2	Plastic	Transparent	E
0 014 23	3	12+2	Plastic	Transparent	E
0 014 24	4	12+2	Plastic	Transparent	E
0 014 31	1	12+2	Metal	White	E
0 014 32	2	12+2	Metal	White	E
0 014 33	3	12+2	Metal	White	E
0 014 34	4	12+2	Metal	White	E
0 014 36	1	12+2	Metal	White	E + N
0 014 37	2	12+2	Metal	White	E + xN
0 014 38	3	12+2	Metal	White	E + xN
0 014 39	4	12+2	Metal	White	E + xN
0 014 41	1	12+2	Metal	White	E + N
0 014 42	2	12+2	Metal	White	E + N
0 014 43	3	12+2	Metal	White	E + N
0 014 44	4	12+2	Metal	White	E + N
0 014 51	1	12+2	Metal	Transparent	E + N
0 014 52	2	12+2	Metal	Transparent	E + N
0 014 53	3	12+2	Metal	Transparent	E + N
0 014 54	4	12+2	Metal	Transparent	E + N

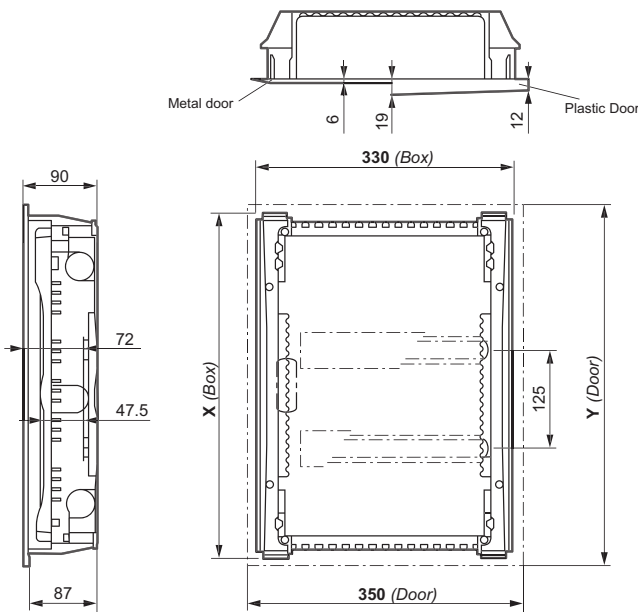
Cat. No.	Number of rows	Modules per row	Door material	Door colour	Terminal block
0 015 11	1	12+2	Plastic	White	E auto
0 015 12	2	12+2	Plastic	White	E auto
0 015 13	3	12+2	Plastic	White	E auto
0 015 14	4	12+2	Plastic	White	E auto
0 015 21	1	12+2	Plastic	Transparent	E auto
0 015 22	2	12+2	Plastic	Transparent	E auto
0 015 23	3	12+2	Plastic	Transparent	E auto
0 015 24	4	12+2	Plastic	Transparent	E auto
0 015 31	1	12+2	Metal	White	E auto
0 015 32	2	12+2	Metal	White	E auto
0 015 33	3	12+2	Metal	White	E auto
0 015 34	4	12+2	Metal	White	E auto
1 014 11	1	12+2	Plastic	White	E + xN
1 014 12	2	12+2	Plastic	White	E + xN
1 014 13	3	12+2	Plastic	White	E + xN
1 014 14	4	12+2	Plastic	White	E + xN
1 014 31	1	12+2	Metal	White	E + xN
1 014 32	2	12+2	Metal	White	E + xN
1 014 33	3	12+2	Metal	White	E + xN
1 014 34	4	12+2	Metal	White	E + xN
2 014 11	1	12+2	Plastic	White	E + N
2 014 12	2	12+2	Plastic	White	E + xN
2 014 13	3	12+2	Plastic	White	E + xN
2 014 14	4	12+2	Plastic	White	E + xN
2 014 21	1	12+2	Plastic	Transparent	E + N
2 014 22	2	12+2	Plastic	Transparent	E + xN
2 014 23	3	12+2	Plastic	Transparent	E + xN
2 014 24	4	12+2	Plastic	Transparent	E + xN
2 014 31	1	12+2	Metal	White	E + N
2 014 32	2	12+2	Metal	White	E + xN
2 014 33	3	12+2	Metal	White	E + xN
2 014 34	4	12+2	Metal	White	E + xN
HL12F	1	12+2	Plastic	White	E + xN
HL24F	2	12+2	Plastic	White	E + xN
HL36F	3	12+2	Plastic	White	E + xN
HL48F	4	12+2	Plastic	White	E + xN

3. DIMENSIONS

■ 3.1 Cabinet with 1 row of 8 modules

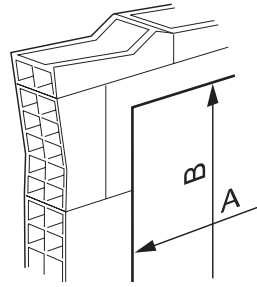


■ 3.2 Cabinets with 1, 2, 3 or 4 rows of 14 modules



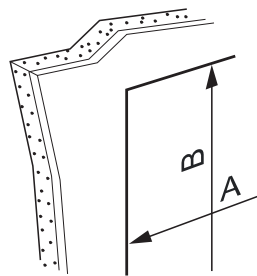
Number of rows	1	2	3	4
X (mm): box height	305	430	555	680
Y (mm): door height	335	460	585	710

■ 3.3 Cut-out dimensions in a brick/masonry wall



Number of rows	A (mm)	B (mm)
1	330 ≤ A ≤ 360	315 ≤ A ≤ 345
2	330 ≤ A ≤ 360	440 ≤ A ≤ 470
3	330 ≤ A ≤ 360	565 ≤ A ≤ 595
4	330 ≤ A ≤ 360	690 ≤ A ≤ 720

■ 3.4 Cut-out dimensions in a dry partition wall



Number of rows	A (mm)	B (mm)
1	315	305
2	315	430
3	315	555
4	315	680

4. GENERAL CHARACTERISTICS

■ 4.1 Technical characteristics

- Door colour: white RAL 9003 (metal and plastic) or transparent
- Protection index:
 - IP 40 - IK07 with door
- Self-extinguishing:
 - Flush-mounting boxes for dry partition: 850°C
 - Front covers and faceplates: 850°C
 - Plastic door: 750°C
- Class II double insulation
- Rated operating voltage: 400 VAC - 50/60 Hz
- Rated insulation voltage: 400 VAC - 50/60 Hz
- Rated impulse withstand voltage: Uimp = 4 kV
- Short-circuit current: I_{sc} = 10 kA
- Storage temperature: -20°C to +70°C
- Operating temperature: -10°C to +40°C
- Installation temperature: -20°C to +70°C

- Max. permissible current and dissipated power:

Number of rows	Modules per row	Max. permissible current (A)	Dissipated power (W)
1	8	63 A	17 W
1	14	63 A	22 W
2	14	63 A	30 W
3	14	63 A	38 W
4	14	63 A	45 W

■ 4.2 Materials

- Flush-mounting box, faceplate: HI polystyrene
- Plastic door: HI polystyrene
- Metal door: steel
- Rail: steel

5. COMPLIANCE AND APPROVALS

Compliant with standard NF C 61910 and EN 60695-2-11
Compliant with the ROHS directive
For creating assemblies compliant with standard IEC 61439-3

6. EQUIPMENT SUPPLIED

■ 6.1 Terminal block capacity


Cat. Nos.	IP 2X automatic connection earth terminal block
0 015 11/21/31	5 x 25 mm ² + 9 x 4 mm ²
0 015 12/22/32	5 x 25 mm ² + 18 x 4 mm ²
0 015 13/23/33	5 x 25 mm ² + 27 x 4 mm ²
0 015 14/24/34	5 x 25 mm ² + 36 x 4 mm ²

Cat. Nos.	IP 2X terminal blocks	
	Earth terminal block	Neutral terminal block
0 014 10/20	8 x 16 mm ²	
0 014 11/21/31	12 x 16 mm ² + 1 x 25 mm ²	
0 014 12/22/32	16 x 16 mm ² + 1 x 25 mm ²	
0 014 13/23/33	21 x 16 mm ² + 1 x 25 mm ²	
0 014 14/24/34	26 x 16 mm ² + 1 x 25 mm ²	
1 014 11/31	12 x 16 mm ² + 1 x 25 mm ²	4 x 16 mm ² + (12 x 16 mm ² + 1 x 25 mm ²)
1 014 12/32	16 x 16 mm ² + 1 x 25 mm ²	4 x 16 mm ² + (16 x 16 mm ² + 1 x 25 mm ²)
1 014 13/33	21 x 16 mm ² + 1 x 25 mm ²	4 x 16 mm ² + (21 x 16 mm ² + 1 x 25 mm ²)
1 014 14/34	26 x 16 mm ² + 1 x 25 mm ²	4 x 16 mm ² + (26 x 16 mm ² + 1 x 25 mm ²)
HL12F	8 x 16 mm ²	(12 x 16 mm ² + 1 x 25 mm ²) + 2x (4 x 16 mm ²)
HL24F	16 x 16 mm ² + 1 x 25 mm ²	(12 x 16 mm ² + 1 x 25 mm ²) + 2x (4 x 16 mm ²)
HL36F	21 x 16 mm ² + 1 x 25 mm ²	(12 x 16 mm ² + 1 x 25 mm ²) + 2x (8 x 16 mm ²)
HL48F	26 x 16 mm ² + 1 x 25 mm ²	(12 x 16 mm ² + 1 x 25 mm ²) + 2x (8 x 16 mm ²) + (12 x 16 mm ² + 1 x 25 mm ²)

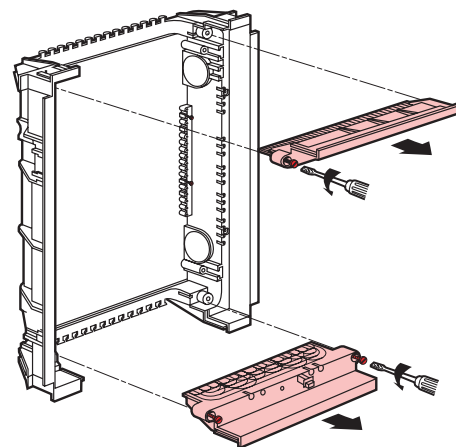
Cat. Nos.	Unprotected terminal blocks	
	Earth terminal block	Neutral terminal block
0 014 36/41/51	6 x 16 mm ² + 6 x 10 mm ²	6 x 16 mm ² + 6 x 10 mm ²
0 014 37/42/52	8 x 16 mm ² + 8 x 10 mm ²	2x (4 x 16 mm ² + 4 x 10 mm ²)
0 014 38/43/53	15 x 16 mm ² + 15 x 10 mm ²	2x (6 x 16 mm ² + 6 x 10 mm ²)
0 014 39/44/54	15 x 16 mm ² + 15 x 10 mm ²	3x (6 x 16 mm ² + 6 x 10 mm ²)
2 014 11/21/31	6 x 16 mm ² + 6 x 10 mm ²	6 x 16 mm ² + 6 x 10 mm ²
2 014 12/22/32	8 x 16 mm ² + 8 x 10 mm ²	2x (4 x 16 mm ² + 4 x 10 mm ²)
2 014 13/23/33	15 x 16 mm ² + 15 x 10 mm ²	2x (6 x 16 mm ² + 6 x 10 mm ²)
2 014 14/24/34	15 x 16 mm ² + 15 x 10 mm ²	3x (6 x 16 mm ² + 6 x 10 mm ²)

■ 6.2 Number of blanking plates

Can be separated for each module or half-module
Colour: White RAL 9003
Self-extinguishing: 850°C

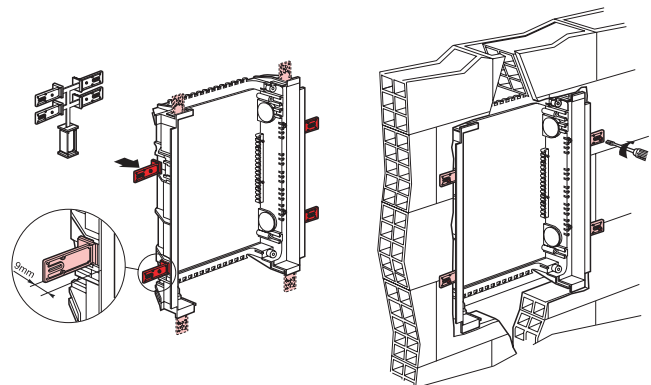
Cat. Nos.	5 modules	
0 014 11/12/21/22/31/32/36/37/41/42/51/52 0 015 11/12/21/22/31/32 2 014 11/12/21/22/31/32 HL12F/24F	1 x 5M	
0 014 13/14/23/24/33/34/38/39/43/44/53/54 0 015 13/14/23/24/33/34 2 014 13/14/23/24/33/34 HL36F	2 x 5M	
HL48F	3 x 5M	

■ 6.3 Cable gland plate



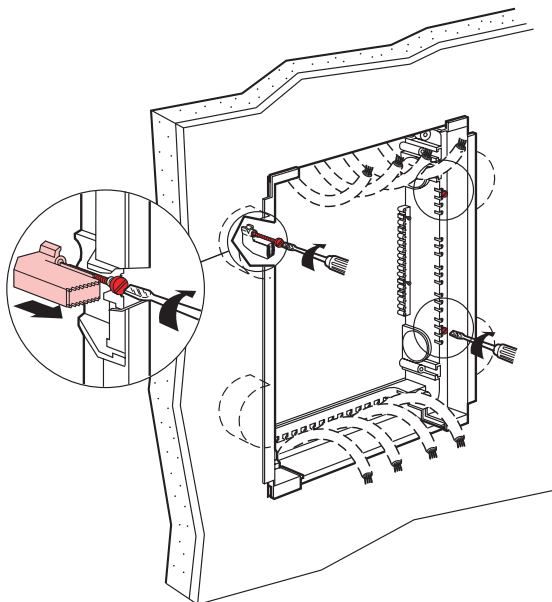
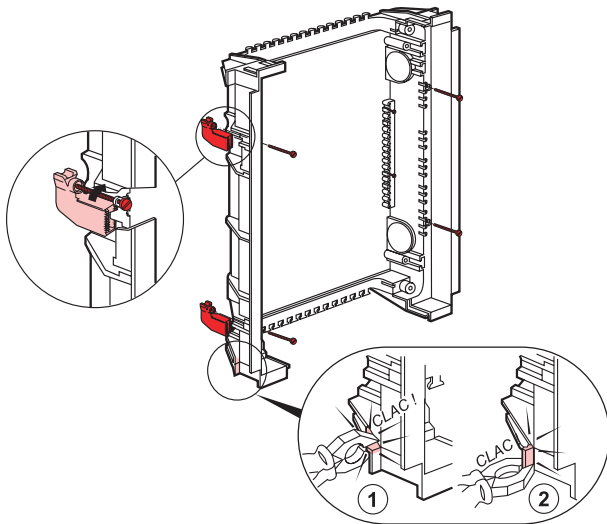
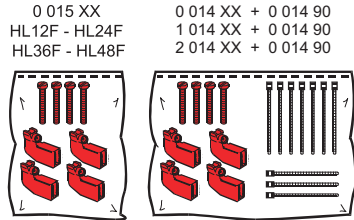
■ 6.4 Masonry anchors

Accessory for fixing the cabinet in a brick/masonry wall



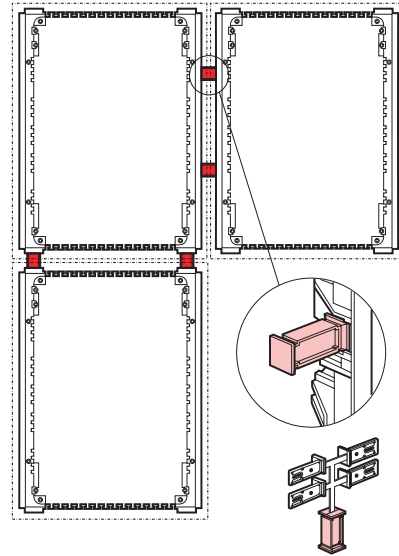
■ 6.5 Fixing claws for dry partitions

Accessory for fixing the cabinet in a dry partition wall.
 The dry partition fixing kit can be ordered as an accessory
 (Cat. No. 0 014 90, see 7.2).



■ 6.6 Joining lugs

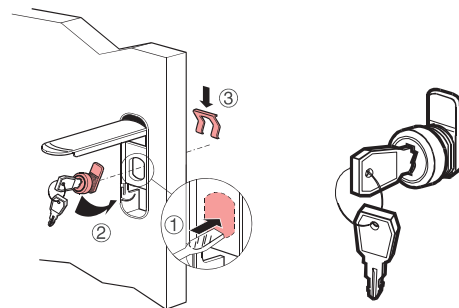
Accessory for linking cabinets horizontally and vertically
 Compatible with brick/masonry walls



7. INSTALLATION ADD-ONS

■ 7.1 Lock with key no. 850

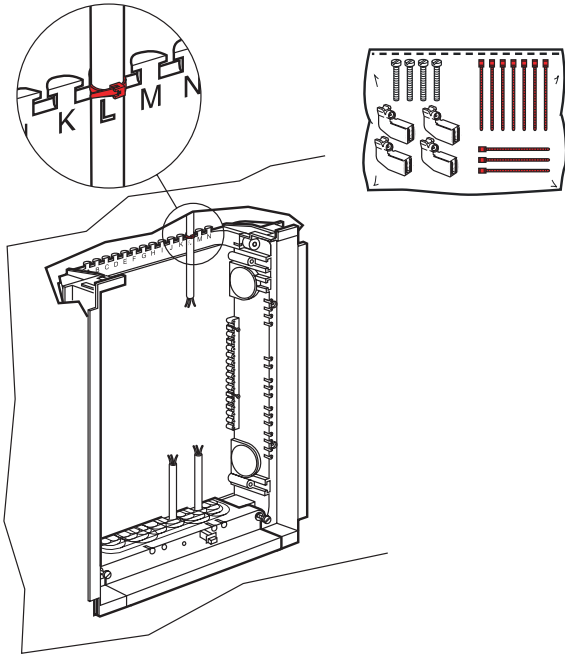
Cat. No. 0014 91



■ 7.2 Dry partition fixing kit

Cat. No. 0 014 90

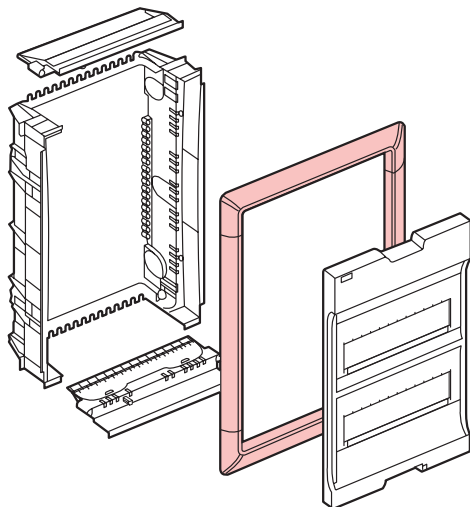
Consisting of lugs which can be fixed on the flush-mounting box (see 6.5) and cable ties.



■ 7.3 Cabinet spacer

For reducing the flush-mounting depth from 87 mm to 70 mm.

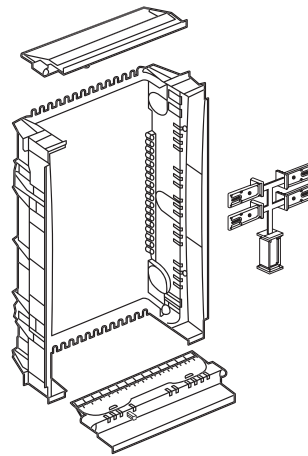
Number of rows	Number of modules	Cat. Nos.	Associated cabinets
1	14	0 014 81	0 014 41/51
2	14	0 014 82	0 014 42/52
3	14	0 014 83	0 014 43/53
4	14	0 014 84	0 014 44/54



■ 7.4 Flush-mounting boxes and associated front covers

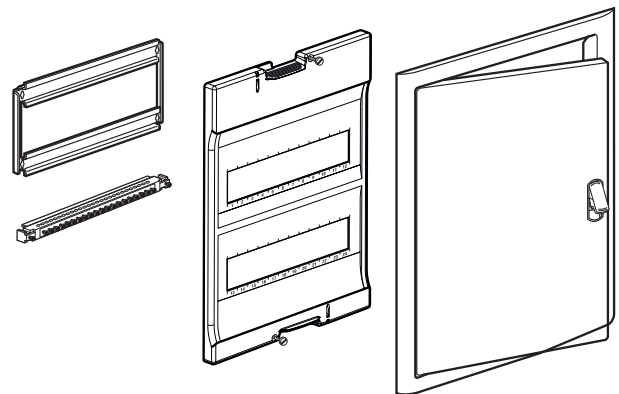
Flush-mounting boxes

Cat. Nos. 014 01/02/03/04



Associated front covers

Cat. Nos. 014 36/37/38/39



Flush-mounting box Cat. Nos.	Associated front cover Cat. Nos.
0 014 01	0 014 36
0 014 02	0 014 37
0 014 03	0 014 38
0 014 04	0 014 39